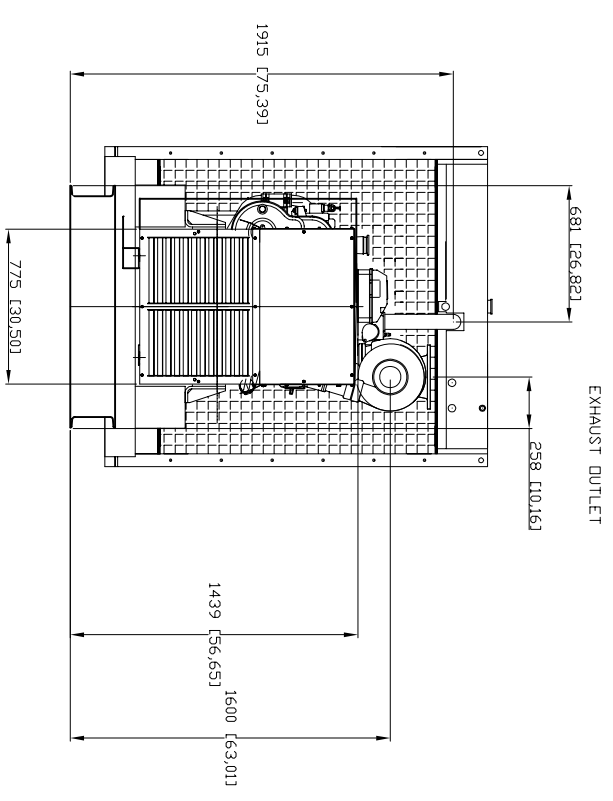
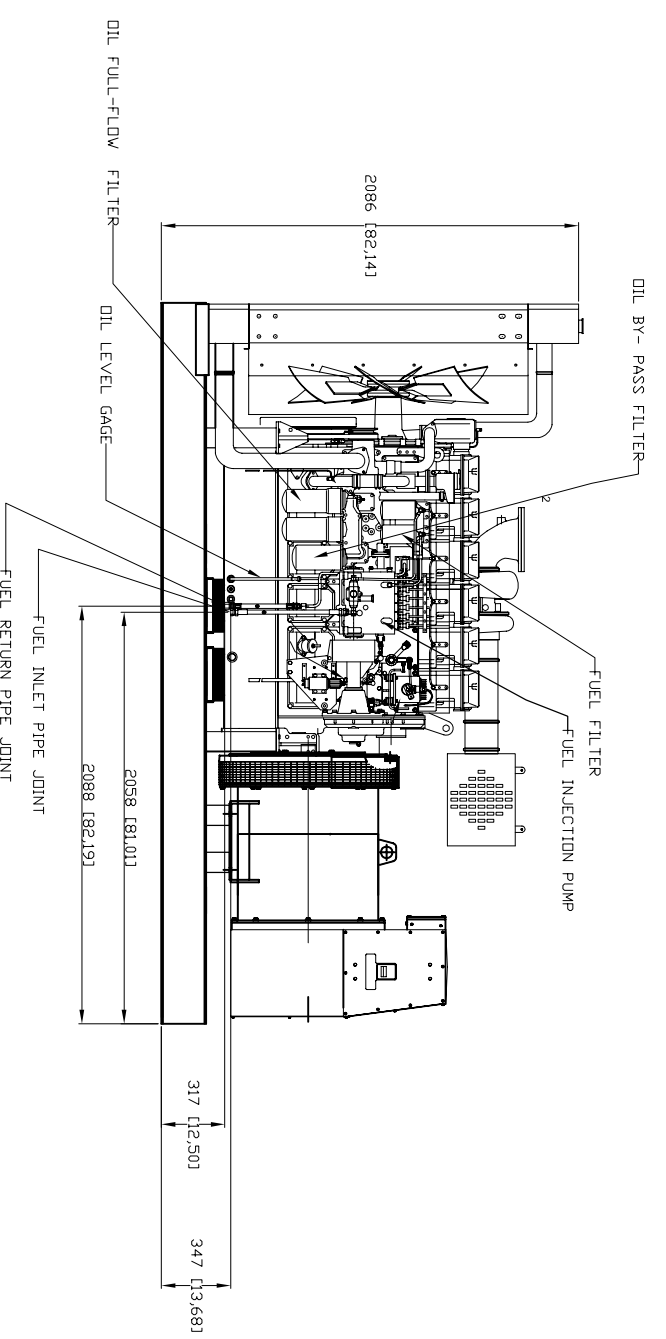
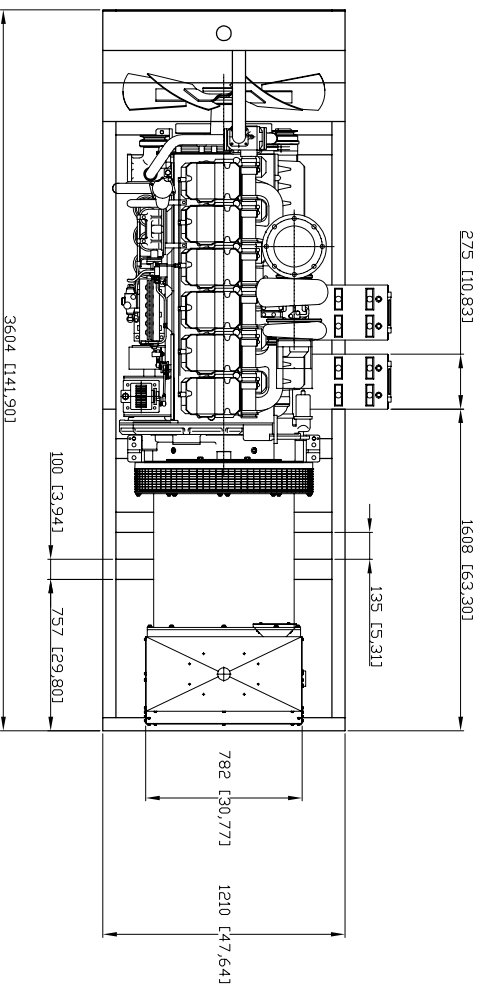


GENSET 600KW GENERAL FEATURES WITH CHASSIS					
ASSEMBLY NUMBER	CAPACITY KW	ENGINE MODEL	MARATHON ALTERNATOR MODEL	Weight without Diesel Engine	FUEL CONSUMPTION WITH LOAD IN LTRS/HR AND ENGINE POWER at 100%
GS-MI-600KW	600	S6R-Y1P1A-4	54ZRSR-4030	kg	at 75% 283.5 at 100% 381.8



APPLICATE STANDARD	REVIEW
NDRM	

NOTE: DIMENSIONS IN [] ARE INCH

DESCRIPTION	REVIEW	NUMBER OF REVISIONS	NUMBER OF CHANGE	DATE	REVIEW

600 KW
60HZ/40C COOLING
S6R-Y1P1A-4 SERIES
MITSUBISHI
TIER 1

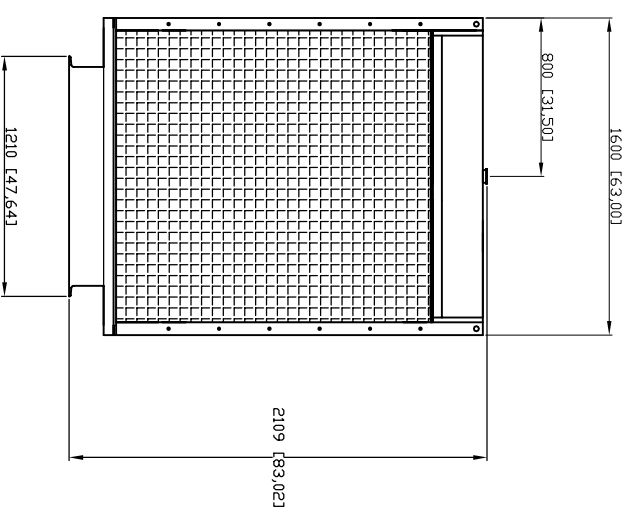
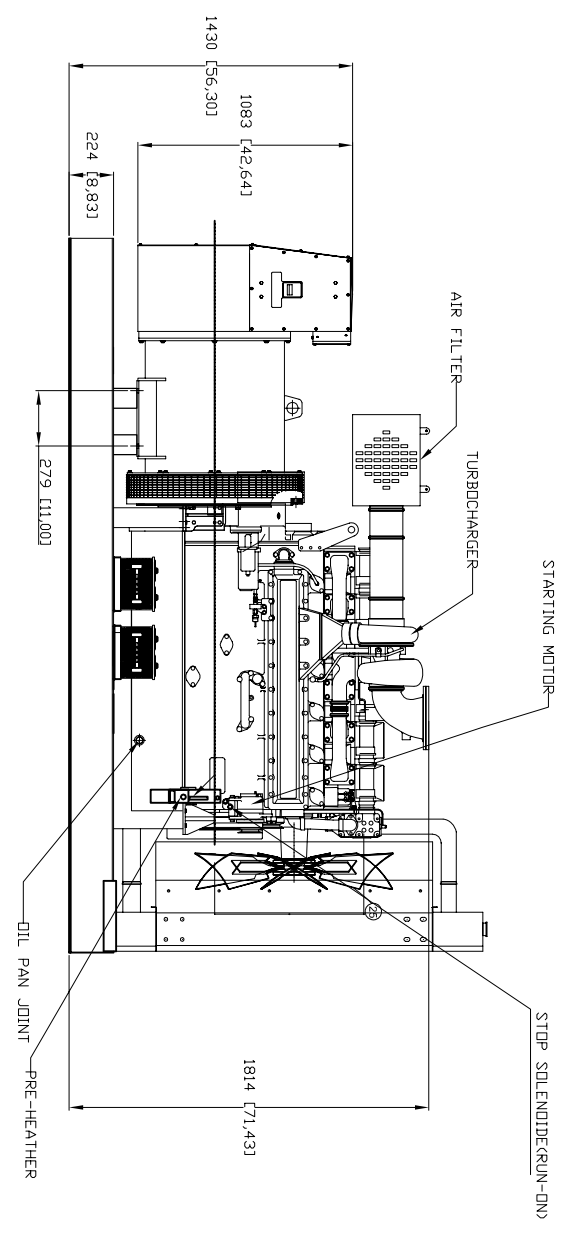
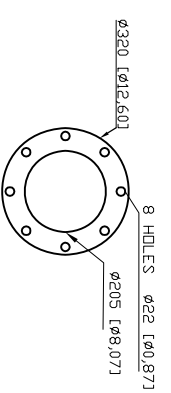
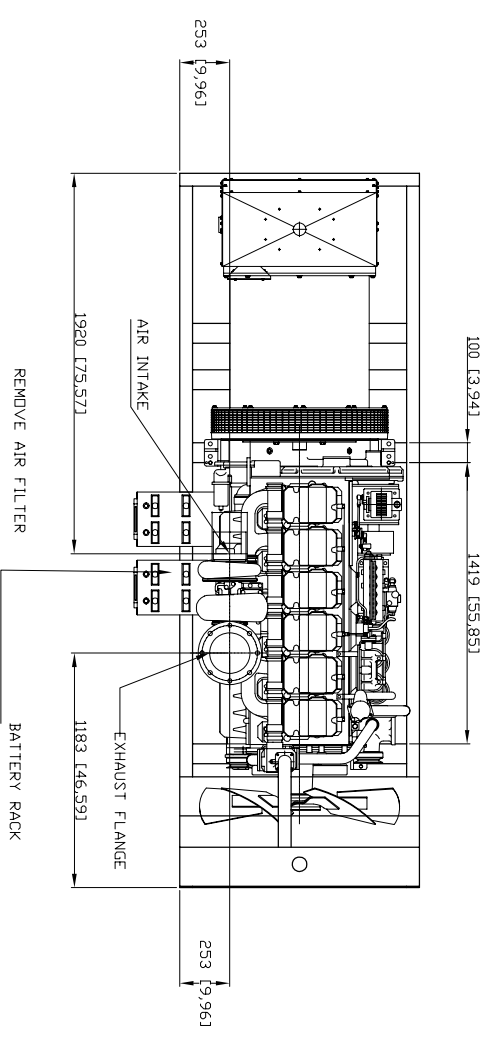
MATERIAL	PART NUMBER	WEIGHT (KG)	FINISH	NOT FINISH	DISTRIBER
NA	NA	NA	NA	NA	

MANUFACTURING TOLERANCE	DECIMAL	LINEAR	DIAMETER	ANGULAR
RANGE				
0 mm - 200 mm	± 0.1 mm	± 0.15	± 0.15	No. DIM
200 mm - 1200 mm	± 0.2 mm	± 0.20	± 0.20	90 ± 2
1200 mm - 10000 mm	± 0.3 mm	± 0.30	± 0.30	± 1

THE INFORMATION CONTAINED IN THESE DOCUMENT IS PROPERTY EXCLUSIVE OF MAQUINARIA ISGA
THE INFORMATION CONTAINED IN THESE DOCUMENT IS PROPERTY EXCLUSIVE OF MAQUINARIA ISGA THEREFORE, THE TOTAL OR PARTIAL REPRODUCTION WITHOUT NOT CONSENT CANNOT WRITING BE USED OF MAQUINARIA ISGA S.A DE C.

SCALE	DATE	DESIGNED	REVIEWED	APPROVED	REV.
1:1	28-05-07	GMKZ	MC RLR	ING. MDR	01

TITLE	PROJECT NUMBER	SHEET
GENERAL ADJUSTMENT GENSET 600 KW	GSM110600M	1 of 3



APPLICATE STANDARD

NDPR	REVIEW
------	--------

NOTE: DIMENSIONS IN [] ARE INCH

DESCRIPTION	REVIEW NUMBER OF CHANGE	DATE	REVIEW
LIST OF REVISIONS			

600 KV
60HZ/40C COOLING
SGR-YIPTA-4 SERIES
MITSUBISHI
TIER 1

MATERIAL	NA	PART NUMBER	NA	WEIGHT (KG)	NA	FINISH	NA	NOT FINISH	NA
STANDARD TOLERANCES OF NOT SPECIFY OTHER									
MANUFACTURING TOLERANCE	DECIMAL	LINEAR	DIAMETER	ANGULAR					
RANGE	TOLERANCES								
0 mm - 250 mm	± 0.1 mm	± 0.25	± 0.08	No. DIM					
250 mm - 500 mm	± 0.15 mm	± 0.30	± 0.10	CODE					
500 mm - 1000 mm	± 0.20 mm	± 0.40	± 0.15	CRITICAL DIMENSION					
1000 mm - 1500 mm	± 0.25 mm	± 0.50	± 0.20	APPROVE WITH GAUGE					
1500 mm - 2000 mm	± 0.30 mm	± 0.60	± 0.25						
2000 mm - 2500 mm	± 0.35 mm	± 0.70	± 0.30						
2500 mm - 3000 mm	± 0.40 mm	± 0.80	± 0.35						
3000 mm - 3500 mm	± 0.45 mm	± 0.90	± 0.40						
3500 mm - 4000 mm	± 0.50 mm	± 1.00	± 0.45						
4000 mm - 4500 mm	± 0.55 mm	± 1.10	± 0.50						
4500 mm - 5000 mm	± 0.60 mm	± 1.20	± 0.55						
5000 mm - 5500 mm	± 0.65 mm	± 1.30	± 0.60						
5500 mm - 6000 mm	± 0.70 mm	± 1.40	± 0.65						
6000 mm - 6500 mm	± 0.75 mm	± 1.50	± 0.70						
6500 mm - 7000 mm	± 0.80 mm	± 1.60	± 0.75						
7000 mm - 7500 mm	± 0.85 mm	± 1.70	± 0.80						
7500 mm - 8000 mm	± 0.90 mm	± 1.80	± 0.85						
8000 mm - 8500 mm	± 0.95 mm	± 1.90	± 0.90						
8500 mm - 9000 mm	± 1.00 mm	± 2.00	± 0.95						
9000 mm - 9500 mm	± 1.05 mm	± 2.10	± 1.00						
9500 mm - 10000 mm	± 1.10 mm	± 2.20	± 1.05						
10000 mm - 10500 mm	± 1.15 mm	± 2.30	± 1.10						
10500 mm - 11000 mm	± 1.20 mm	± 2.40	± 1.15						
11000 mm - 11500 mm	± 1.25 mm	± 2.50	± 1.20						
11500 mm - 12000 mm	± 1.30 mm	± 2.60	± 1.25						
12000 mm - 12500 mm	± 1.35 mm	± 2.70	± 1.30						
12500 mm - 13000 mm	± 1.40 mm	± 2.80	± 1.35						
13000 mm - 13500 mm	± 1.45 mm	± 2.90	± 1.40						
13500 mm - 14000 mm	± 1.50 mm	± 3.00	± 1.45						
14000 mm - 14500 mm	± 1.55 mm	± 3.10	± 1.50						
14500 mm - 15000 mm	± 1.60 mm	± 3.20	± 1.55						
15000 mm - 15500 mm	± 1.65 mm	± 3.30	± 1.60						
15500 mm - 16000 mm	± 1.70 mm	± 3.40	± 1.65						
16000 mm - 16500 mm	± 1.75 mm	± 3.50	± 1.70						
16500 mm - 17000 mm	± 1.80 mm	± 3.60	± 1.75						
17000 mm - 17500 mm	± 1.85 mm	± 3.70	± 1.80						
17500 mm - 18000 mm	± 1.90 mm	± 3.80	± 1.85						
18000 mm - 18500 mm	± 1.95 mm	± 3.90	± 1.90						
18500 mm - 19000 mm	± 2.00 mm	± 4.00	± 1.95						
19000 mm - 19500 mm	± 2.05 mm	± 4.10	± 2.00						
19500 mm - 20000 mm	± 2.10 mm	± 4.20	± 2.05						
20000 mm - 20500 mm	± 2.15 mm	± 4.30	± 2.10						
20500 mm - 21000 mm	± 2.20 mm	± 4.40	± 2.15						
21000 mm - 21500 mm	± 2.25 mm	± 4.50	± 2.20						
21500 mm - 22000 mm	± 2.30 mm	± 4.60	± 2.25						
22000 mm - 22500 mm	± 2.35 mm	± 4.70	± 2.30						
22500 mm - 23000 mm	± 2.40 mm	± 4.80	± 2.35						
23000 mm - 23500 mm	± 2.45 mm	± 4.90	± 2.40						
23500 mm - 24000 mm	± 2.50 mm	± 5.00	± 2.45						
24000 mm - 24500 mm	± 2.55 mm	± 5.10	± 2.50						
24500 mm - 25000 mm	± 2.60 mm	± 5.20	± 2.55						
25000 mm - 25500 mm	± 2.65 mm	± 5.30	± 2.60						
25500 mm - 26000 mm	± 2.70 mm	± 5.40	± 2.65						
26000 mm - 26500 mm	± 2.75 mm	± 5.50	± 2.70						
26500 mm - 27000 mm	± 2.80 mm	± 5.60	± 2.75						
27000 mm - 27500 mm	± 2.85 mm	± 5.70	± 2.80						
27500 mm - 28000 mm	± 2.90 mm	± 5.80	± 2.85						
28000 mm - 28500 mm	± 2.95 mm	± 5.90	± 2.90						
28500 mm - 29000 mm	± 3.00 mm	± 6.00	± 2.95						
29000 mm - 29500 mm	± 3.05 mm	± 6.10	± 3.00						
29500 mm - 30000 mm	± 3.10 mm	± 6.20	± 3.05						
30000 mm - 30500 mm	± 3.15 mm	± 6.30	± 3.10						
30500 mm - 31000 mm	± 3.20 mm	± 6.40	± 3.15						
31000 mm - 31500 mm	± 3.25 mm	± 6.50	± 3.20						
31500 mm - 32000 mm	± 3.30 mm	± 6.60	± 3.25						
32000 mm - 32500 mm	± 3.35 mm	± 6.70	± 3.30						
32500 mm - 33000 mm	± 3.40 mm	± 6.80	± 3.35						
33000 mm - 33500 mm	± 3.45 mm	± 6.90	± 3.40						
33500 mm - 34000 mm	± 3.50 mm	± 7.00	± 3.45						
34000 mm - 34500 mm	± 3.55 mm	± 7.10	± 3.50						
34500 mm - 35000 mm	± 3.60 mm	± 7.20	± 3.55						
35000 mm - 35500 mm	± 3.65 mm	± 7.30	± 3.60						
35500 mm - 36000 mm	± 3.70 mm	± 7.40	± 3.65						
36000 mm - 36500 mm	± 3.75 mm	± 7.50	± 3.70						
36500 mm - 37000 mm	± 3.80 mm	± 7.60	± 3.75						
37000 mm - 37500 mm	± 3.85 mm	± 7.70	± 3.80						
37500 mm - 38000 mm	± 3.90 mm	± 7.80	± 3.85						
38000 mm - 38500 mm	± 3.95 mm	± 7.90	± 3.90						
38500 mm - 39000 mm	± 4.00 mm	± 8.00	± 3.95						
39000 mm - 39500 mm	± 4.05 mm	± 8.10	± 4.00						
39500 mm - 40000 mm	± 4.10 mm	± 8.20	± 4.05						
40000 mm - 40500 mm	± 4.15 mm	± 8.30	± 4.10						
40500 mm - 41000 mm	± 4.20 mm	± 8.40	± 4.15						
41000 mm - 41500 mm	± 4.25 mm	± 8.50	± 4.20						
41500 mm - 42000 mm	± 4.30 mm	± 8.60	± 4.25						
42000 mm - 42500 mm	± 4.35 mm	± 8.70	± 4.30						
42500 mm - 43000 mm	± 4.40 mm	± 8.80	± 4.35						
43000 mm - 43500 mm	± 4.45 mm	± 8.90	± 4.40						
43500 mm - 44000 mm	± 4.50 mm	± 9.00	± 4.45						
44000 mm - 44500 mm	± 4.55 mm	± 9.10	± 4.50						
44500 mm - 45000 mm	± 4.60 mm	± 9.20	± 4.55						
45000 mm - 45500 mm	± 4.65 mm	± 9.30	± 4.60						
45500 mm - 46000 mm	± 4.70 mm	± 9.40	± 4.65						
46000 mm - 46500 mm	± 4.75 mm	± 9.50	± 4.70						
46500 mm - 47000 mm	± 4.80 mm	± 9.60	± 4.75						
47000 mm - 47500 mm	± 4.85 mm	± 9.70	± 4.80						
47500 mm - 48000 mm	± 4.90 mm	± 9.80	± 4.85						
48000 mm - 48500 mm	± 4.95 mm	± 9.90	± 4.90						
48500 mm - 49000 mm	± 5.00 mm	± 10.00	± 4.95						
49000 mm - 49500 mm	± 5.05 mm	± 10.10	± 5.00						
49500 mm - 50000 mm	± 5.10 mm	± 10.20	± 5.05						
50000 mm - 50500 mm	± 5.15 mm	± 10.30	± 5.10						
50500 mm - 51000 mm	± 5.20 mm	± 10.40	± 5.15						
51000 mm - 51500 mm	± 5.25 mm	± 10.50	± 5.20						
51500 mm - 52000 mm	± 5.30 mm	± 10.60	± 5.25						
52000 mm - 52500 mm	± 5.35 mm	± 10.70	± 5.30						
52500 mm - 53000 mm	± 5.40 mm	± 10.80	± 5.35						
53000 mm - 53500 mm	± 5.45 mm	± 10.90	± 5.40						
53500 mm - 54000 mm	± 5.50 mm	± 11.00	± 5.45						
54000 mm - 54500 mm	± 5.55 mm	± 11.10	± 5.50						
54500 mm - 55000 mm	± 5.60 mm	± 11.20	± 5.55						
55000 mm - 55500 mm	± 5.65 mm	± 11.30	± 5.60						
55500 mm - 56000 mm	± 5.70 mm	± 11.40	± 5.65						
56000 mm - 56500 mm	± 5.75 mm	± 11.50	± 5.70						
56500 mm - 57000 mm	± 5.80 mm	± 11.60	± 5.75						
57000 mm - 57500 mm	± 5.85 mm	± 11.70	± 5.80						
57500 mm - 58000 mm	± 5.90 mm	± 11.80	± 5.85						
58000 mm - 58500 mm	± 5.95 mm	± 11.90	± 5.90						
58500 mm - 59000 mm	± 6.00 mm	± 12.00	± 5.95						
59000 mm - 59500 mm	± 6.05 mm	± 12.10	± 6.00						
59500 mm - 60000 mm	± 6.10 mm	± 12.20	± 6.05						
60000 mm - 60500 mm	± 6.15 mm	± 12.30	± 6.10						
60500 mm - 61000 mm	± 6.20 mm	± 12.40	± 6.15						
61000 mm - 61500 mm	± 6.25 mm	± 12.50	± 6.20						
61500 mm - 62000 mm	± 6.30 mm	± 12.60	± 6.25						
62000 mm - 62500 mm	± 6.35 mm	± 12.70	± 6.30						
62500 mm - 63000 mm	± 6.40 mm	± 12.80	± 6.35						
63000 mm - 63500 mm	± 6.45 mm	± 12.90	± 6.40						
63500 mm - 64000 mm	± 6.50 mm	± 13.00	± 6.45						
64000 mm - 64500 mm	± 6.55 mm	± 13.10	± 6.50						
64500 mm - 65000 mm	± 6.60 mm	± 13.20	± 6.55						
65000 mm - 65500 mm	± 6.65 mm	± 13.30	± 6.60						
65500 mm - 66000 mm	± 6.70 mm	± 13.40	± 6.65						
66000 mm - 66500 mm	± 6.75 mm	± 13.50	± 6.70						
66500 mm - 67000 mm	± 6.80 mm	± 13.60	± 6.75						
67000 mm - 67500 mm	± 6.85 mm	± 13.70	± 6.80						
67500 mm - 68000 mm	± 6.90 mm	± 13.80	± 6.85						
68000 mm - 68500 mm	± 6.95 mm	± 13.90	± 6.90						
68500 mm - 69000 mm	± 7.00 mm	± 14.00	± 6.95						
69000 mm - 69500 mm	± 7.05 mm	± 14.10	± 7.00						
69500 mm - 70000 mm	± 7.10 mm	± 14.20	± 7.05						
70000 mm - 70500 mm	± 7.15 mm	± 14.30	± 7.10						
70500 mm - 71000 mm	± 7.20								

