

| | |
|--------------------|--------|
| APPLICATE STANDARD | |
| NORM | REVIEW |

NOTE: DIMENSIONS IN [] ARE INCH EQUIVALENTS

40 KW
60HZ/40C COOLING
PRTV-804106
SERIES IVECO
TIER II

| DESCRIPTION | REVIEW | NUMBER OF CHANGE | DATE | REVIEW |
|-------------------|--------|------------------|------|--------|
| LIST OF REVISIONS | | | | |

| | | | | | | | | | |
|--|--------------------|-------------|---------|-------------|----------|--------------------------|-----|------------|----|
| MATERIAL | NA | PART NUMBER | NA | WEIGHT (KG) | NA | FINISH | NA | NOT FINISH | NA |
| STANDARD TOLERANCES OF NOT SPECIFY OTHER | | | | | | | | | |
| MANUFACTURING NOT TOLERANCES | RANGE | TOLERANCES | DECIMAL | LINEAR | DIAMETER | ANGULAR | | | |
| | 0 mm - 200 mm | ± 0.1 mm | 0 | ± 0.12 | ± 0.08 | No. DIM | DIM | | |
| | 200 mm - 1200 mm | ± 0.2 mm | 0 | ± 0.07 | ± 0.08 | 90° ± | ± 1 | | |
| | 1200 mm - 10000 mm | ± 0.3 mm | 0 | ± 0.07 | ± 0.08 | CODE CERTIFICE DIMENSION | | | |
| | | ± 0.5 mm | 3 | | | APPROVE WITH GAUGE | | | |

THE INFORMATION CONTAINED IN THESE DOCUMENT IS PROPERTY EXCLUSIVE OF MAQUINARIA ICSA THEREFORE, THE TOTAL OR PARTIAL REPRODUCTION WITHOUT NOT CONSENT CANNOT WRITING BE USED BY MAQUINARIA ICSA S.A DE C.

MAQUINARIA ICSA S.A. DE C.V.
CALLE LA INDUSTRIA S/N. ZONA INDUSTRIAL DE SAN JOSE DE LOS RIOS, CARRETERA FEDERAL DEL NOROCCIDENTE, C.P. 45100, TEL. 01 (52) 361 211 1222
GENERAL ADJUSTMENT GEN SET 40 KW WITH INTEGRATED TANK

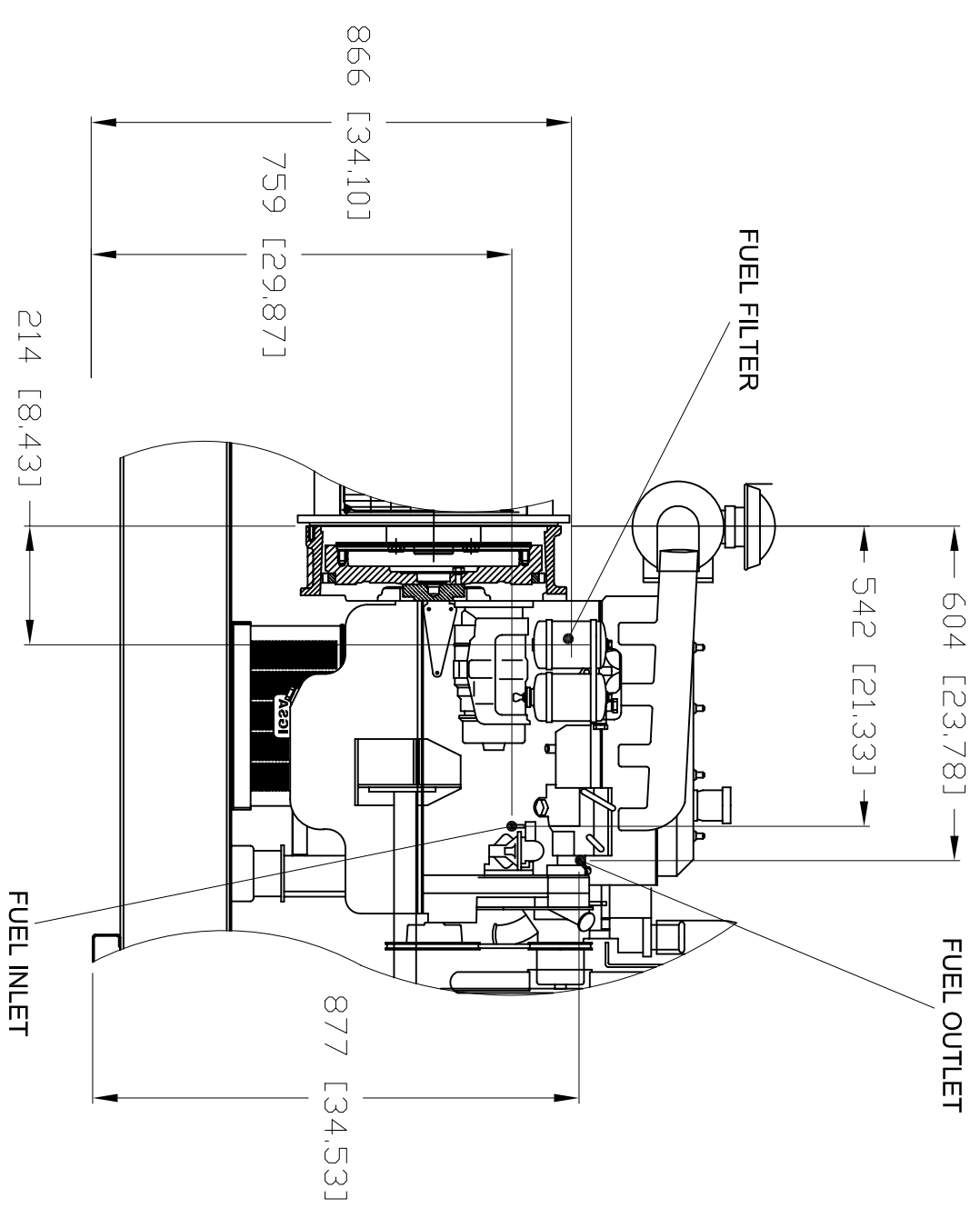
SCALE: 1:1
DIMENSION: mm

| | | | |
|----------|----------|--------|----------|
| DATE | DESIGNED | REVIEW | APPROVED |
| 10-05-07 | TLSA | RTR | HJB |

PROJ NUMBER: GSIIV20040S

REV: 01
SHEET 2 OF 3

| GENSET 40KW GENERAL FEATURES WITH CHASSIS | | | |
|---|--------------------|------------------------------|--------------------------|
| CAPACITY KW | MODEL IVECO ENGINE | ALTERNATOR STAMFORD MODEL | WEIGHT WITHOUT DIESEL kg |
| 40 | 8041106 | UC1224C | |
| FUEL CONSUMPTION WITH LOAD | | Lts / hr. AND ENGINE POWER : | |
| | | 75% | 100% |



NOTE: DIMENSIONS IN [] ARE INCH EQUIVALENTS

40 KW
60HZ/40C COOLING
PRTV-804106
SERIES IVECO
TIER II

FD-G1-01-02 REV.01

COPY CONTROLLED

COPY NOT CONTROLLED

OBSOLETE DATE

| APPLICATE STANDARD | REVIEW |
|--------------------|--------|
| NDRM | |
| | |
| | |
| | |

| DESCRIPTION | REVIEW | NUMBER OF CHANGE | DATE | REVIEW |
|-------------------|--------|------------------|------|--------|
| LIST OF REVISIONS | | | | |

| MATERIAL | PART NUMBER | WEIGHT (kg) | FINISH | NOT FINISH | CUSTOMER | | | | | | | | | | | | | | | |
|---|-------------|-------------|--------|------------|------------------------------|------|----------|----------|----------|---------|--|--|------|--|--|--------|--|--|--------|--|
| NA | NA | NA | NA | NA | MAQUINARIA IGSA S.A. DE C.V. | | | | | | | | | | | | | | | |
| MANUFACTURING NOT TOLERANCE MANUFACTURING TOLERANCE RANGE: 0 mm - 200 mm TOLERANCES: ± 0.1 mm DECIMAL LINEAR ± 0.02 DIAMETER ± 0.02 200 mm - 127 mm TOLERANCES: ± 0.1 mm DECIMAL LINEAR ± 0.02 DIAMETER ± 0.02 127 mm - 100 mm TOLERANCES: ± 0.1 mm DECIMAL LINEAR ± 0.02 DIAMETER ± 0.02 | | | | | | | | | | | | | | | | | | | | |
| THE INFORMATION CONTAINED IN THESE DOCUMENT IS PROPERTY EXCLUSIVE OF MAQUINARIA IGSA THEREFORE, THE TOTAL OR PARTIAL REPRODUCTION WITHOUT NOT CONSENT CANNOT WRITING BE USED BY MAQUINARIA IGSA S.A. DE C. | | | | | | | | | | | | | | | | | | | | |
| <table border="1"> <thead> <tr> <th>DATE</th> <th>REVISION</th> <th>APPROVED</th> </tr> </thead> <tbody> <tr> <td>10-05-07</td> <td>BRAMMUS</td> <td></td> </tr> <tr> <td></td> <td>TJSA</td> <td></td> </tr> <tr> <td></td> <td>R.T.R.</td> <td></td> </tr> <tr> <td></td> <td>H.D.B.</td> <td></td> </tr> </tbody> </table> | | | | | | DATE | REVISION | APPROVED | 10-05-07 | BRAMMUS | | | TJSA | | | R.T.R. | | | H.D.B. | |
| DATE | REVISION | APPROVED | | | | | | | | | | | | | | | | | | |
| 10-05-07 | BRAMMUS | | | | | | | | | | | | | | | | | | | |
| | TJSA | | | | | | | | | | | | | | | | | | | |
| | R.T.R. | | | | | | | | | | | | | | | | | | | |
| | H.D.B. | | | | | | | | | | | | | | | | | | | |
| TITLE: GENERAL ADJUSTMENT GEN SET 40 KW WITH INTEGRATED TANK SCALE: 1:1 DIMENSION: mm SHEET: 3 of 3 | | | | | | | | | | | | | | | | | | | | |